

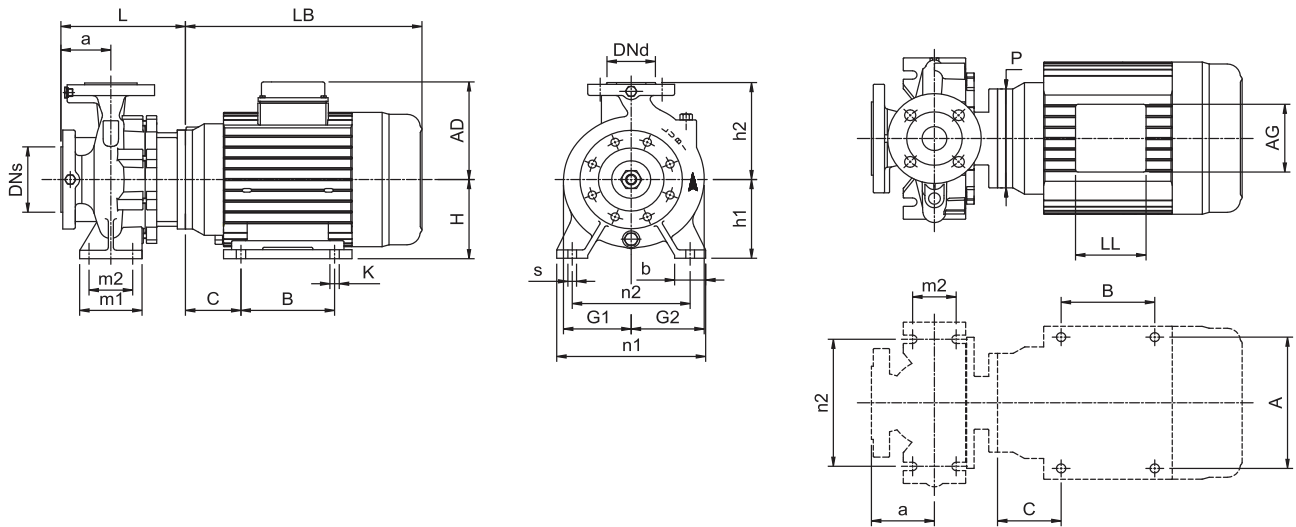
Technical Data

Single-stage end-suction pumps

LES 65-2502

2-pole

2 POLE



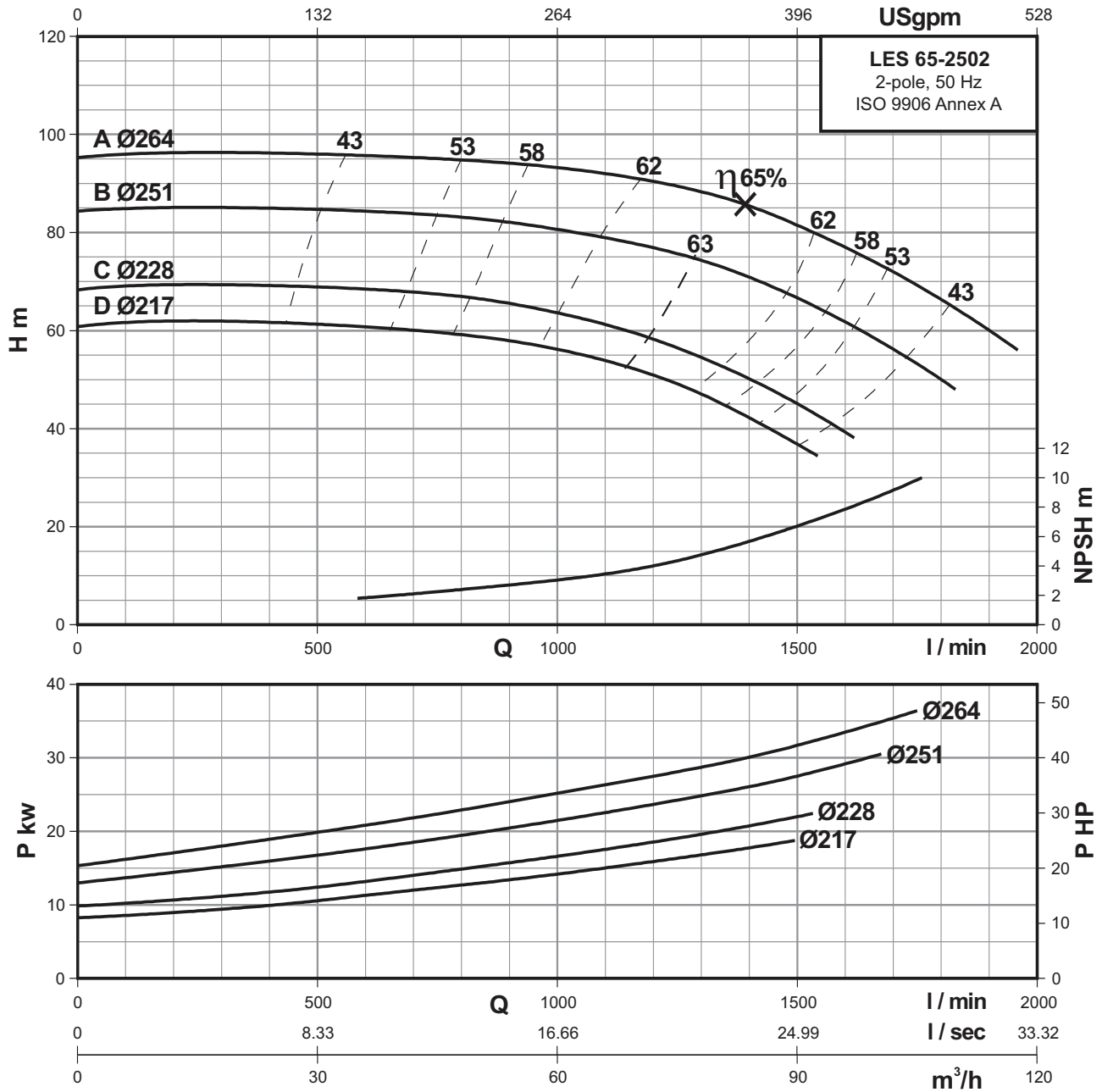
Power	[kw]	18.5	22	30	37
	[hp]	25	30	40	50
Frame		160L	160L	200L	200L
PN	[bar]	16	16	16	16
Code for Impeller diameter		D	C	B	A
DNs	[mm]	80	80	80	80
Dnd	[mm]	65	65	65	65
a	[mm]	100	100	100	100
h2	[mm]	250	250	250	250
L	[mm]	237	237	387	387
h1	[mm]	200	200	200	200
G1	[mm]	165	165	165	165
G2	[mm]	183	183	183	183
m1	[mm]	160	160	160	160
m2	[mm]	120	120	120	120
n1	[mm]	360	360	360	360
n2	[mm]	280	280	280	280
b	[mm]	80	80	80	80
s	[mm]	18	18	18	18
H	[mm]	160	160	200	200
LB	[mm]	544	544	688	688
AD	[mm]	222	222	306	306
AG	[mm]	152	152	263	263
LL	[mm]	152	152	195	195
P	[mm]	254	254	400	400
C	[mm]	108	108	133	133
B	[mm]	254	254	308	308
A	[mm]	254	254	318	318
K	[mm]	15	15	19	19
Net Weight	[kg]	173	182	350	370
Gross Weight	[kg]	229	238	420	440
Volume	[m ³]	0.378	0.378	0.552	0.552

Performance curves

LES 65-2502

Single-stage end-suction pumps

2-pole



Performance Data At n=2900 RPM

MODEL	POWER		m ³ /h l/min	18	24	30	36	48	60	72	84	96	108	114
	KW	HP		300	400	500	600	800	1000	1200	1400	1600	1800	1900
LES 65-2502D	18.5	25.0	H (m)	62	61.8	61.5	61	59	56.5	51	42.1	-	-	-
LES 65-2502C	22.0	30.0		69	68.9	68.7	68	66.8	63.5	58	50	39	-	-
LES 65-2502B	30.0	40.0		85	84.9	84.8	84.5	83	80.8	76.8	70.6	62.8	50	-
LES 65-2502A	37.0	50.0		96.2	96.1	96	95.8	95	93	90.5	85.5	76.8	66	60