

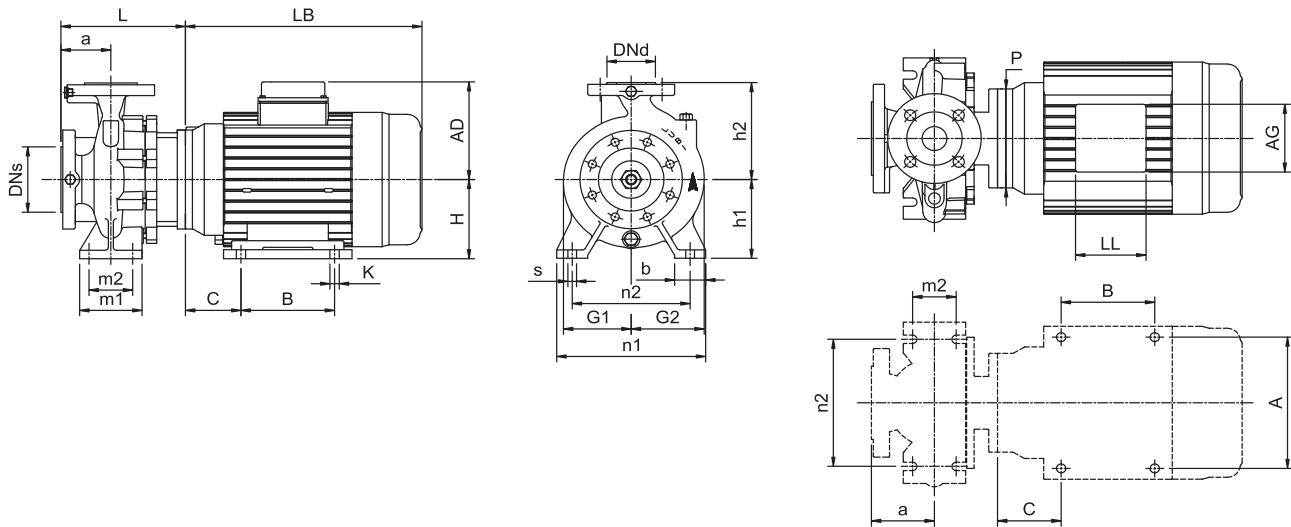
Technical Data

Single-stage end-suction pumps

LES 80-3152

2-pole

2 POLE



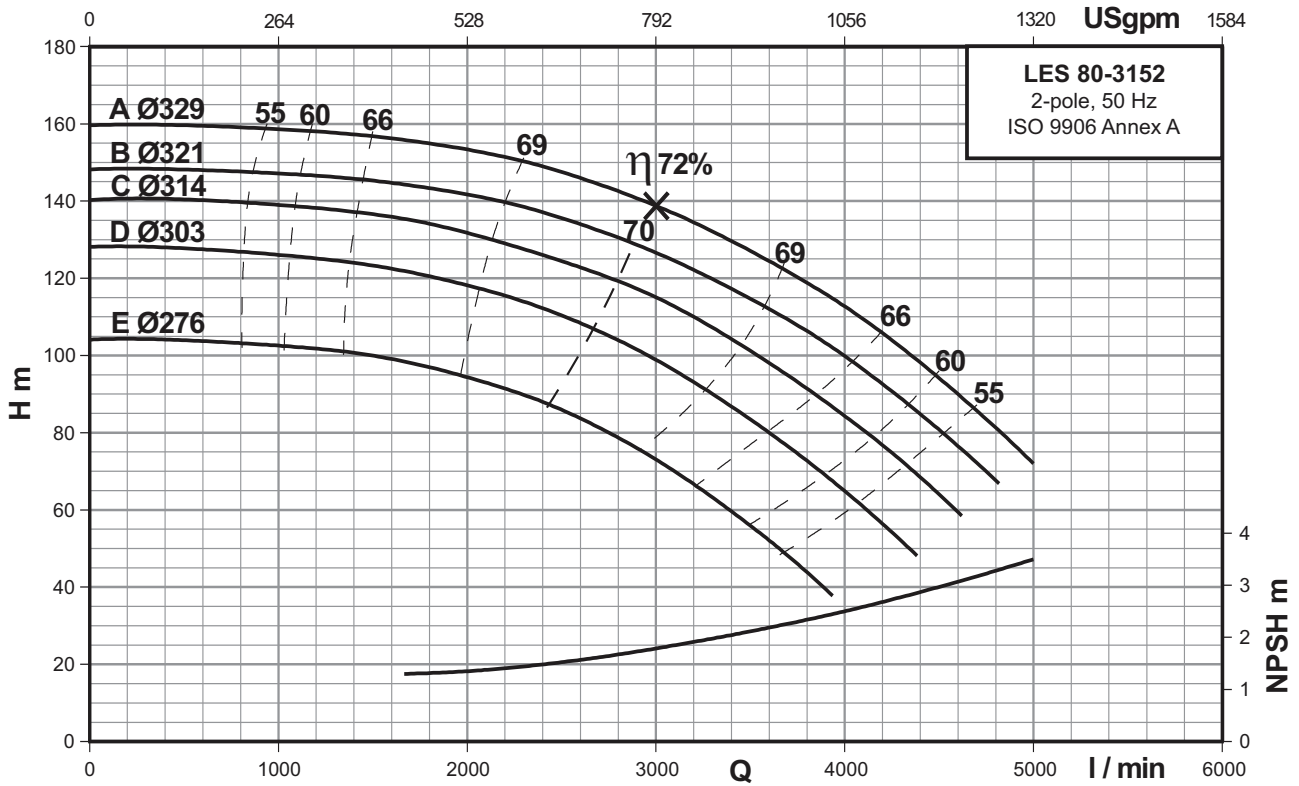
Power	[kw]	55	75	90	110	132
	[hp]	75	100	120	150	180
Frame		250M	280S	280M	315S	315M
PN	[bar]	16	16	16	16	16
Code for Impeller diameter		E	D	C	B	A
DNs	[mm]	100	100	100	100	100
Dnd	[mm]	80	80	80	80	80
a	[mm]	125	125	125	125	125
h2	[mm]	315	315	315	315	315
L	[mm]	412	412	412	458	458
h1	[mm]	250	250	250	250	250
G1	[mm]	204	204	204	204	204
G2	[mm]	227	227	227	227	227
m1	[mm]	160	160	160	160	160
m2	[mm]	120	120	120	120	120
n1	[mm]	400	400	400	400	400
n2	[mm]	315	315	315	315	315
b	[mm]	80	80	80	80	80
s	[mm]	18	18	18	18	18
H	[mm]	250	280	280	315	315
LB	[mm]	795	870	870	997	997
AD	[mm]	414	445	445	515	515
AG	[mm]	327	327	327	400	400
LL	[mm]	240	240	240	320	320
P	[mm]	550	550	550	660	660
C	[mm]	168	190	190	216	216
B	[mm]	349	368	419	406	457
A	[mm]	406	457	457	508	508
K	[mm]	24	24	24	28	28
Net Weight	[kg]	599	694	738	990	1060
Gross Weight	[kg]	700	806	850	1129	1199
Volume	[m ³]	0.968	1.111	1.111	1.570	1.570

Performance curves

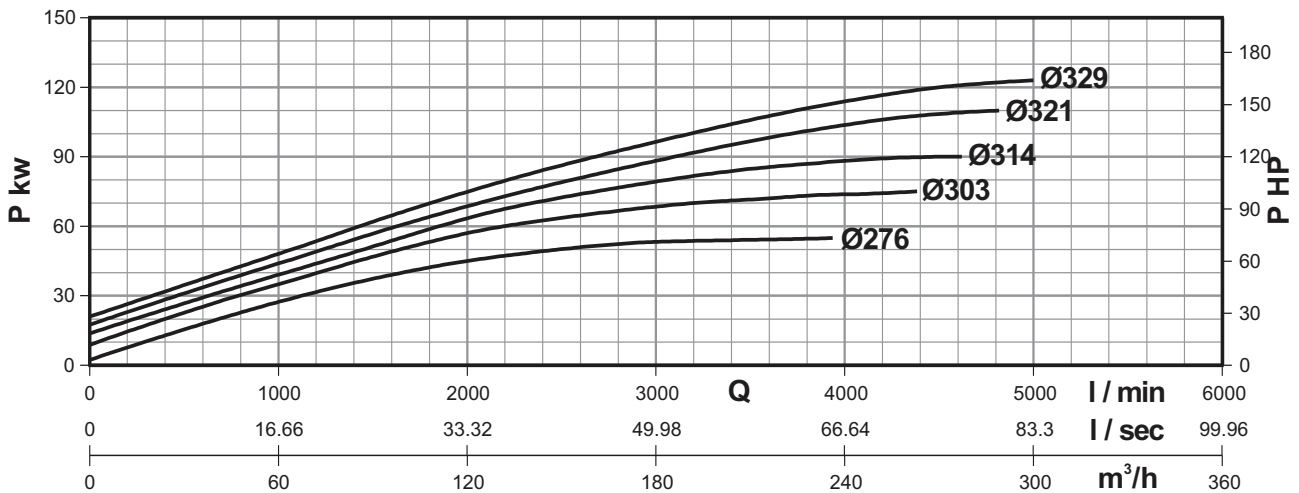
LES 80-3152

Single-stage end-suction pumps

2-pole



2 POLE



Performance Data At n=2900 RPM

MODEL	POWER		m³/h l/min	108	132	150	168	180	192	210	228	240	252	270	288	300	
	KW	HP		1800	2200	2500	2800	3000	3200	3500	3800	4000	4200	4500	4800	5000	
LES 80-3152E	55.0	75.0	H (m)	96.7	91.3	86.8	79	73.8	66	56	44	35	-	-	-	-	
LES 80-3152D	75.0	100.0		121	115	110	104	99	93	84.2	72.8	65	56	-	-	-	-
LES 80-3152C	90.0	120.0		134.2	129	125	119.5	115	110	101	91	85	76	64	-	-	-
LES 80-3152B	110.0	150.0		143.5	140	135.6	130	126	121.5	115	106	100	91.8	80	66.8	-	-
LES 80-3152A	132.0	180.0		155	151	147.5	142	139	135	127.5	119	112	105	94	81	72	-